

Motor Start and Braking Devices MINISTART 1,5 ... 5,5B 2.05

Features:

- ▣ three-phase controlled soft starter
- ▣ DC braking with one-way rectification
- ▣ easy mounting, also for retrofitting into existing plants
- ▣ terminal arrangement suitable for switchgear connection
- ▣ for snap-mounting on 35mm standard rail
- ▣ integrated bypass relay
- ▣ extensive monitoring functions
- ▣ robust metal housing
- ▣ no mains neutral conductor (N) required
- ▣ special voltages up to 600V
- ▣ functional acceleration current reduction
- ▣ degree of protection IP 20



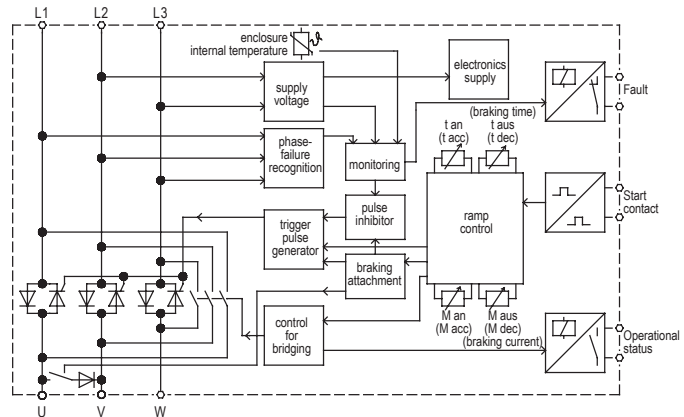
**Motor Start and Braking Devices
MINISTART 1,5 ... 5,5B**
CE

Function:

- ▣ soft start - braking
- ▣ 4 separately adjustable parameters
starting torque, acceleration time,
braking current, braking time
- ▣ potential-free input for soft start or soft stop
- control voltage 10 ... 30VDC
- ▣ potential-free output for fault indication
- ▣ potential-free output for operational status
- loadable with 250V/8A each
- closed from the beginning of the
start until the end of braking
- ▣ temperature monitoring
- ▣ phase-failure monitoring during ramp-up

Typical Applications:

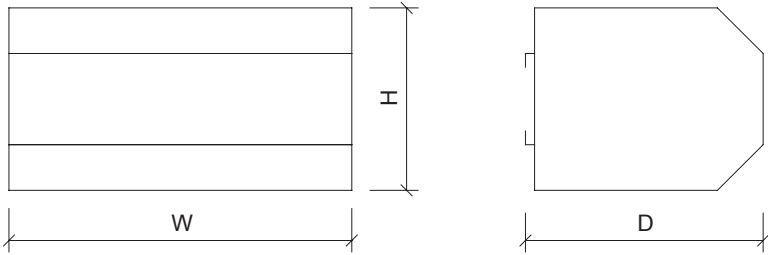
- vibrators
- wood working machinery
- centrifuges
- drives with large rotating masses



Technical Data	MINISTART		
	1,5B	3B	5,5B
Mains / Motor voltage according to DIN EN 50160 (IEC 38)	400V ± 15% 50/60Hz		
Device nominal current	4A	6,5A	12A
Motor rating	1,5kW	3kW	5,5kW
min. Motor current	10% of the device rated current		
Starting torque	0 ... 80%		
Acceleration time	1 ... 20s		
Braking current	0 – 7,5A	0 – 15A	0 – 22A
Braking time	0,75 ... 15s		
Reset time	200ms		
max. Switching cycle	90/h		
Max. Cross-sectional area	Control terminals	1,5mm ²	
	Power terminals	4,0mm ²	
I ² t-Value Power semiconductor in A ² s	40A ² s	450A ² s	550A ² s
Ambient / Storage temperature	0°C ... 45°C / -25°C ... 75°C		
Weight / kg	1,25	1,25	1,4
Order number	21201.38001	21201.38003	21201.38005

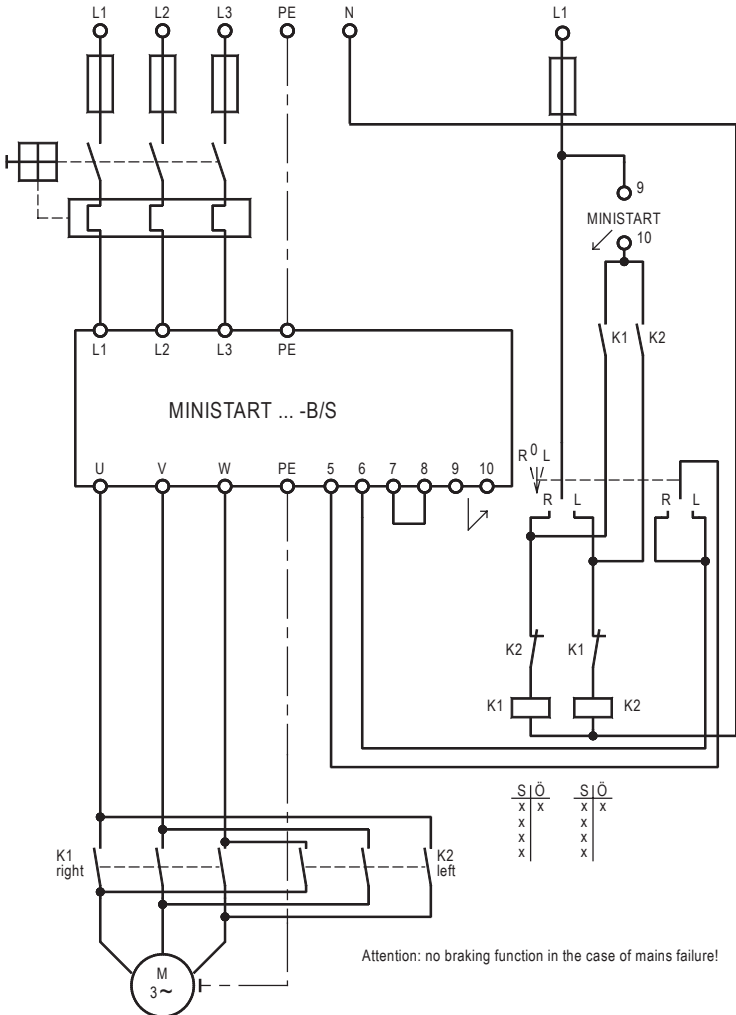
Please observe supplementary sheet with dimensioning rules.

Dimensions:



	W	H	D
Mounting dimensions	166mm	106mm	117mm

Connection Diagram:



EMC
 The limit values for emitted interference according to the applicable device standards do not rule out the possibility that receivers and susceptible electronic devices within a radius of 10m are subjected to interference.
 If such interference, that is definitely attributable to the operation of the soft starters "MINISTART", occurs, the emitted interference can be reduced by taking appropriate measures.
 Such measures are, e.g.:
 to connect reactors (3mH) or a suitable mains filter in series before the soft starter, or to connect X-capacitors (0,15µF) in parallel to the supply voltage terminals.