

Soft Starters VersiStart III ...-9...45 1.15

**Features:**

- ☑ three-phase controlled soft starter
- ☑ controlled by microcontroller
- ☑ optimized soft start and current control
- ☑ connection in the motor delta winding (cost saving via smaller rating)
- ☑ current and torque reduction during acceleration
- ☑ easy mounting, for snap-mounting on 35 mm standard rail
- ☑ integrated bypass relay
- ☑ parameterization by means of potentiometers
- ☑ no additional control voltage required
- ☑ no mains neutral conductor (N) required
- ☑ economically priced substitute for star-delta starters
- ☑ spring-loaded terminals
- ☑ heat sink temperatur monitoring
- ☑ compact design, 45mm up to 32A and 52,5mm at 45A
- ☑ degree of protection IP20
- ☑ motor protection
- ☑ thermal device protection



Soft Starters  
VS III ...-9...45  
CE

**Function:**

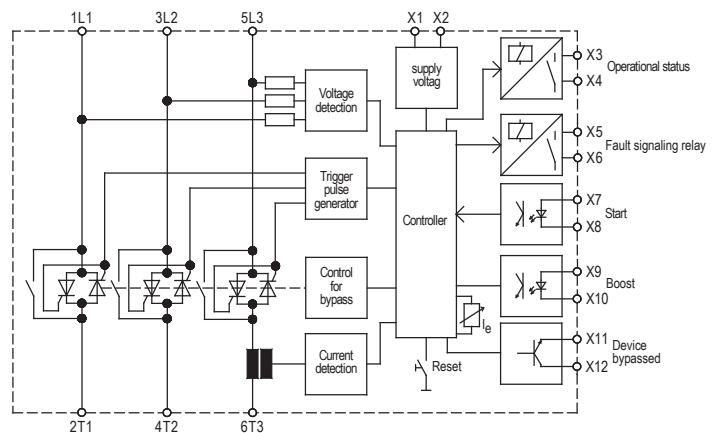
- ☑ soft acceleration and deceleration
- ☑ potential-free control input for soft acceleration and deceleration
- ☑ separately adjustable parameters accel. time, start voltage, decel. time, current limiting, rated device current and tripping class
- ☑ boost-start selectable
- ☑ potential-free relay output for operating state
- ☑ transistor output – unit bypassed

**Typical Applications:**

door and gate drives  
pumps, ventilators, fans  
conveying systems, packaging machines  
transport systems, assembly lines, machine application

**Options (upon request)**

- ☑ special voltages 230V and 480V
- ☑ wide voltage range 200-480V with external control supply voltage  $U_s$  230VAC (B)
- ☑ signalling contact (M) beginning of acceleration until end of deceleration

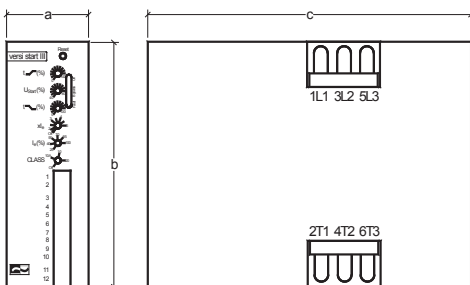


Typical designation (standard)	VS III 400- ...				
	9	16	25	37	45
rated device current	9A	16A	25A	37A	45A
rated operating voltage $U_e$	400V ±10% 50/60Hz				
control supply voltage $U_s$ , only with option B	230V ±10% AC 50/60Hz				
motor rating at $U_e$ 400V	4kW	7,5kW	11kW	18,5kW	22kW
order number	2S500.40009	2S500.40016	2S500.40025	2S500.40037	2S500.40045
special voltages (optional)	230V / 480V / wide voltage range 200-480V with external control voltage 230VAC				

Please observe supplementary sheet with dimensioning rules!

Technical data	VS III 400- ...	9	16	25	37	45
rated device current		9A	16A	25A	37A	45A
switch. frequency/hour at $3xI_N$ und $t_{an} = 5s$		50	30	20	15	10
utilization category		9A:AC-53b:6-3:69	16A:AC-53b:6-3:117	25A:AC-53b:6-3:177	37A:AC-53b:6-3:237	45A:AC-53b:6-3:360
max. power dissipation						
- in operation related to max. starting frequency		20W	20W	20W	20W	20W
- standby		5W	5W	5W	5W	5W
$I^2t$ – power semiconductors in A <sup>2</sup> s		390	720	4000	9100	16200
min. motor load		20% of the device rating				
starting time		0,5 ... 10s				
starting voltage		40 ... 80%				
stopping time		0,25 ... 10s				
restart time		200ms				
input resistance control inputs		80kOhm				
control voltage $U_c$		24VDC ... 230VAC				
contact rating of relay outputs RA1/RA2		2A / 250VAC / 30VDC				
contract rating of transistor output		20mA / 30VDC				
installation class		3				
overvoltage category / pollution degree: control and auxiliary circuit main circuit		II / 2 III (TT / TN-systems) / 2				
rated impulse strength $U_{imp}$ : control and auxiliary circuit main circuit		2,5kV 4kV				
rated insulation voltage $U_i$ : main circuit control and auxiliary circuit		500V 250V				
cross-sectional area for connection:						
control terminals			1,5mm <sup>2</sup>			1,5mm <sup>2</sup>
power terminals			6mm <sup>2</sup>			16mm <sup>2</sup>
max tightening torque control / power terminals		- spring-loaded terminals				
ambient / storage temperature		0°C ... 45°C up tp an altitude of 1000m / -25°C ... 75°C				
weight		1100g				

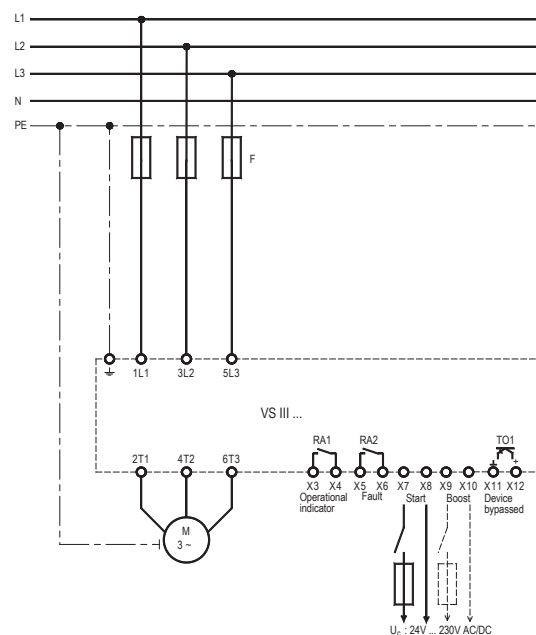
## Dimensions:



Mounting dimensions	a	b	c
VS III ...-9...25	45	147	158
VS III ...-37...45	52,5	147	158

All dimensions indicated in mm.

## Connection Diagram:



Subject to change without notice.