

Features:

- ☑ three-phase controlled digital-soft starter (7,5-800kW)
- ☑ integrated Bypass up to 110kW
- ☑ current and torque reduction during acceleration
- ☑ Comprehensive and customizable motor protection
- ☑ DC Braking - Contactorless
- ☑ Display graphical LCD - Real time graphs of motor operating performance
- ☑ Inside Delta (6-wire) connection
- ☑ degree of protection: IP20 (up to 100A), IP00 (from 140A up)
- ☑ motor PTC connection



Function:

- ☑ Emergency run
- ☑ Forward or reverse jog direction.
- ☑ Remote control inputs (3x fixed, 1x programmable)
- ☑ Relay outputs (3x programmable)
- ☑ 24VDC output
- ☑ Analog output
- ☑ divers Soft Start/Stop control types
- ☑ units with 690V upon request

Typical Applications:

pumps, ventilators
 compressors
 mills, crushers, presses,
 conveying systems
 drives with high-inertia starting
 machines with gear units, belt or chain drives

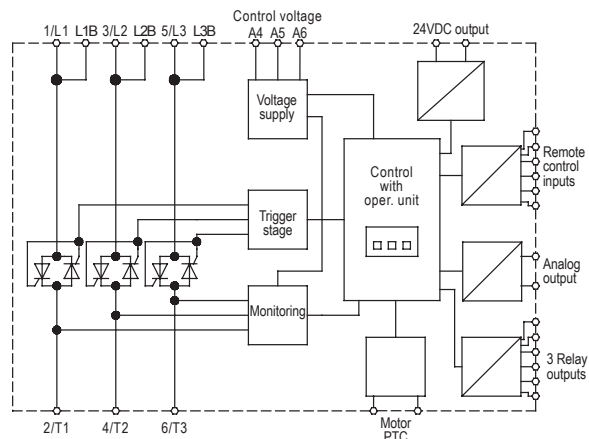
Soft Starters
VS i III ...-255 ... 1600


Accessories:

- ☑ Control Software
- ☑ DeviceNet module (29000.25903)
- ☑ Modbus module (29000.25904)
- ☑ Profibus module (29000.25905)
- ☑ USB module (29000.25910)

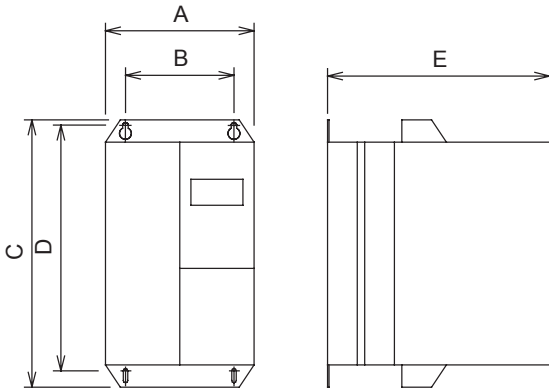
Upon request:

- ☑ units up to 500kW



Technical Data	VS i III 525 -						
	255N C1	380N C1	430N C1	650N C1	790N C1	930N C1	
	255N C2	380N C2	430N C2	650N C2	790N C2	930N C2	
Mains voltage according to DIN EN 50160 (IEC 38)	200-525V 45-66Hz						
	VS i III 690-						
	255N C1	380N C1	430N C1	650N C1	790N C1	930N C1	
	255N C2	380N C2	430N C2	650N C2	790N C2	930N C2	
Mains voltage according to DIN EN 50160 (IEC 38)	380-690V 45-66Hz						
Rated device current in A	255A	380A	430A	650A	790A	930A	
Motor rating at 400V in kW	-132	-185	-220	-315	-400	-500	
I ² t-Value Power semiconductor in kA ² s	320	320	320	1200	2530	4500	
Acceleration	Constant current, Current ramp, "Adaptive Acceleration Control", Torque Control						
Deceleration	Timed voltage ramp soft Stopp, Brake						
Switching frequency 3x I _e and 10s	AC53b 3.0 – 10:590 10/h						
Techn. parameter of relay outputs	10A/250VAC resistive; 5A/250VAC AC15						
Ambient temperature	-10°C...+40°C (+60°C Derating)						
Control voltage	C1: 110VAC; 220VAC -15%/+10%; C2: 24VDC/24 VAC ±20%						
Weight / kg	25	50,5		53,5			
Order number:							
525V/C1	2S010.50.* ¹	255	380	430	650	790	930
525V/C2	2S011.50.* ¹	255	380	430	650	790	930

N = without bypass

Dimensions:

Model	A mm	B mm	C mm	D mm	E mm	Weight kg
VS i III -255N	390	320	417	400	281	25
VS i III -380N	430	320	545	522	299	50.5
VS i III -430N						53.5
VS i III -650N						
VS i III -790N						
VS i III -930N						

Connection Diagram: