

Features:

- ▣ DC braking with one-way rectification
- ▣ controlled by microcontroller
- ▣ suitable for all asynchronous motors
- ▣ easy mounting, also for retrofitting into existing plants
- ▣ wear-resistant and maintenance-free
- ▣ special voltages up to 575V (UL: up to 480V) with option "B"
- ▣ for snap-mounting onto 35mm top-hat-rail
- ▣ degree of protection IP 20



Braking Devices

VB 230-36

VB 400-36



Function:

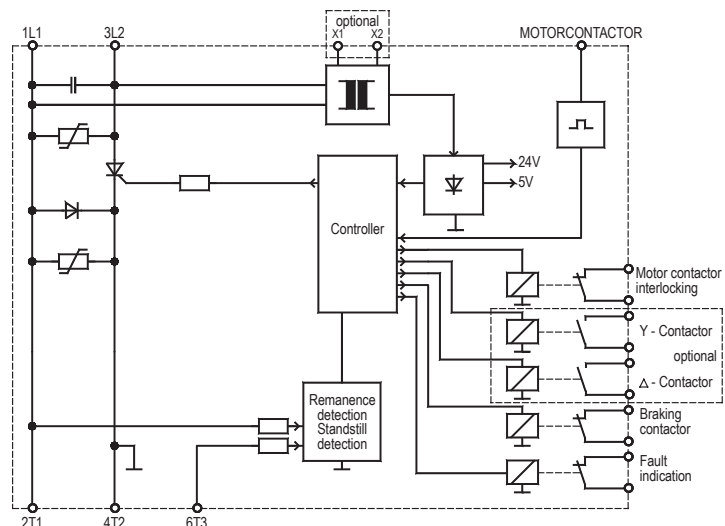
- ▣ control via motor contactor
- ▣ standstill detection
- ▣ braking current limited to rated device current
- ▣ remanence time optimization
- ▣ braking current infinitely adjustable
- ▣ potential-free output for motor contactor interlocking during braking
- ▣ potential-free output for fault signalling relay
- ▣ potential-free output for braking contactor
- ▣ temperature monitoring of power module

Options: (upon request)

- ▣ star-delta starting control (D)
- ▣ wide-voltage-range 200-575V (B)
control voltage of 24VAC or 230VAC is necessary (please note in order)

Typical Applications:

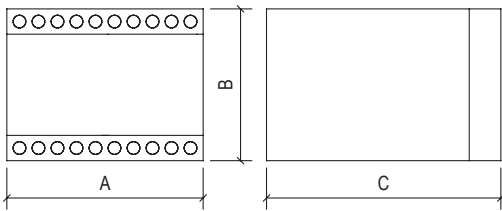
sawing machines
centrifuges
wood working machines
textile machines
conveying systems



Type designation	VB 230-36 VB 400-36			
Mains voltage according to DIN EN 50160 (IEC 38)	VB 230 ...	220/240V ±10%	50/60Hz	Option "B"
	VB 400 ...	380/415V ±10%	50/60Hz	200...575V ± 10% 50/60Hz
Power draw of the electronics	6 VA			
Recommended for rated motor currents up to	17A			
Rated device current	36A			
c.d.f. at max. braking current	5%			
I ² t-Value Power semiconductor	1050A ² s			
Braking voltage	0 ... 130VDC at 220/240V 0 ... 220VDC at 380/415V			
max. Braking time	15sec. (other times upon request)			
Contact rating of output relay	6A/250VAC; 6A/30VDC			
Delay time for reduction of residual e.m.f.	self-optimizing (100 ... 2500ms)			
max. Cross-sectional area	2x 2,5mm per terminal			
Ambient / Storage temperature	0°C ... 45°C / -25°C ... 75°C			
Weight / kg	1			
Order number 230V	21900.23036			
Order number 400V	21900.40036			
Order number 230V - UL	29800.23036			
Order number 400V - UL	29800.40036			

Please observe supplementary sheet with dimensioning rules.

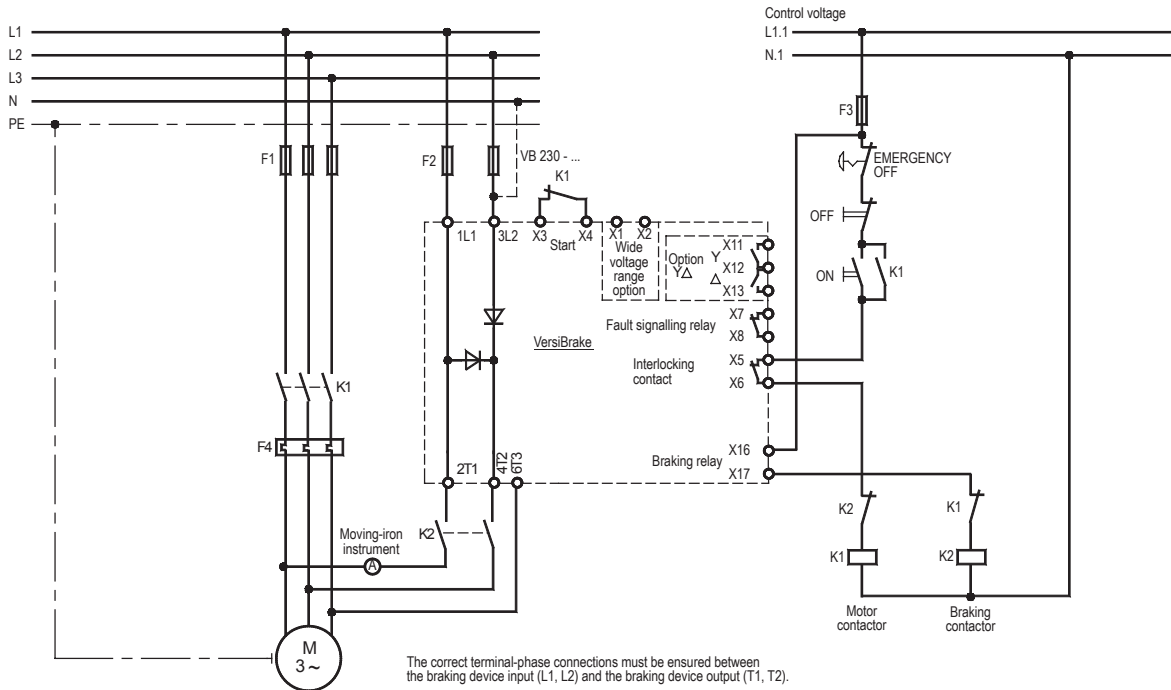
Dimensions:



	A	B	C
VB ... - 36	100	73	120

All dimensions in mm.

Connection Diagrams:



EMC
 The limit values for emitted interference according to the applicable device standards do not rule out the possibility that receivers and susceptible electronic devices within a radius of 10m are subjected to interference. If such interference, which is definitely attributable to the operation of the braking devices "VB", occurs, the emitted interference can be reduced by taking appropriate measures.
 Such measures are, e.g.:
 To connect reactors (3mH) or a suitable mains filter in series before the braking device, or to connect X-capacitors (0.15µF) in parallel to the supply voltage terminals.