

Features:

- ❑ small design for degree of protection IP66
- ❑ easy programming and connection
- ❑ voltage vector control
- ❑ fixed frequencies adjustable
- ❑ PTC input
- ❑ max.rotating field frequency 500Hz
- ❑ DC brake
- ❑ integrated braking chopper (from 2,2kW up)
- ❑ degree of protection IP66
- ❑ integrated mains filter (single-phase, class C1 up to 5m)
- ❑ integrated mains filter (three-phase, class C2 up to 5m)
- ❑ serial communication with Modbus RTU



AC drive
VD i 037 ... 220/E2/IP66
VD i 075 ... 750/3E2/IP66



Function:

- ❑ control and setpoint entry via terminals and operating unit
- ❑ PWM clock frequency 4 - 32kHz
- ❑ DC-braking (duration)
- ❑ potential-free control and signalling contacts
- ❑ integrated setpoint potentiometer
- ❑ 150% overload for 60s
- ❑ detailed trouble check with parameter P00
- ❑ integrated PI controller
- ❑ integrated right-left-switch

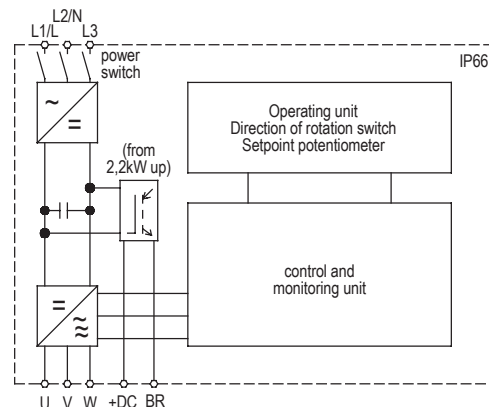
Typical Applications:

- | | |
|-------------------|-----------------------|
| pumps | wood working machines |
| grinding machines | conveying systems |
| ventilators | printing machinery |
| textile machines | packaging machines |

Options and braking resistors:

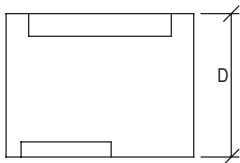
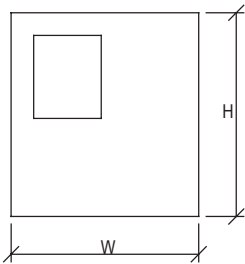
(please see accessories type VD i ... /E2/3E2)

- ❑ input and output module
- ❑ RJ45-cable and cable splitter
- ❑ software for parameterization and operating memory stick with copying function



Technical Data	VD i ... /E2/IP66				VD i ... /3E2/IP66					
	037	075	150	220	075	150	220	400	550	750
Motor shaft power / kW	0,37	0,75	1,5	2,2	0,75	1,5	2,2	4,0	5,5	7,5
Mains voltage according to DIN EN 50160 (IEC 38)	single-phase 200-240V, 48-62Hz				three-phase 380-480V, 48-62Hz					
Output current / A	2,3	4,3	7	10,5	2,2	4,1	5,8	9,5	14	18
Peak current for 1min. / A	3,5	6,5	10,5	15,7	3,3	6,2	8,7	14,3	21	27
Control functions										
Frequency setting range	0 – 500Hz									
Torque boost	U/f-characteristic, adjustable via parameter setting									
Ramp-up and rump-down time	0 ... 600s									
Frequency setpoint	potentiometer >= 1kW, 0-10V, 4-20mA, keypad, fixed frequencies, motor potentiometer, Modbus RTU									
Ambient / Storage temperature	-10 ... 40°C, -40 ... 60°C									
Weight / kg	2,8	2,8	2,8	4,6	2,8	2,8	4,6	4,6	7,4	7,4
Order number	21001. 23037	21001. 23075	21001. 23150	21001. 23220	21001. 40075	21001. 40150	21001. 40220	21001. 40004	21001. 40005	21001. 40007

Dimensions:



	W [mm]	H [mm]	D [mm]
VD i 037/E2/IP66	161	232	175
VD i 075/E2/IP66	161	232	175
VD i 150/E2/IP66	161	232	175
VD i 220/E2/IP66	188	257	187
VD i 075/3E2/IP66	161	232	175
VD i 150/3E2/IP66	161	232	175
VD i 220/3E2/IP66	188	257	187
VD i 400/3E2/IP66	188	257	187
VD i 550/3E2/IP66	211	310	243
VD i 750/3E2/IP66	211	310	243

Connection Diagram:

