

AC Drive VersiDrive i ... /Pro/3Pro up to 11kW 4.25

Features:

- ❑ V/F characteristics control
- ❑ Open Loop vector control (200% start torque)
- ❑ Closed Loop Encoder control (plug-In)
- ❑ Open and Closed Loop control for synchronous motors
- ❑ PTC-input
- ❑ max. rotating field frequency 500Hz
- ❑ safety stop according to IEC 61508 SIL2
- ❑ integrated braking chopper
- ❑ degree of protection IP20
- ❑ integrated mains filter
- ❑ integrated Modbus RTU and CANbus



AC Drive
VD i 075 ... 220/Pro
VD i 075 ... 1100/3Pro



Function:

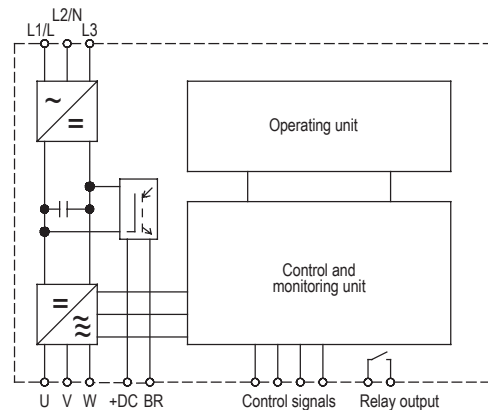
- ❑ control and setpoint entry via terminals, operating units an bus systems
- ❑ PWM-clock frequency 4 – 32kHz
- ❑ sensorless speed and torque control
- ❑ potential-free control and signalling contacts
- ❑ 150% overload for 60s
- ❑ integrated PI controller
- ❑ detailed trouble check via parameter P0-13
- ❑ easy PLC functionality

Typical Application:

- | | |
|------------------------------|-----------------------|
| lifts and hoisting units | centrifuges |
| pumps | wood working machines |
| grinding machines | conveying systems |
| ventilators | printing machinery |
| textile machines | packaging machines |
| drives requiring high torque | |

Options: (please see accessories)

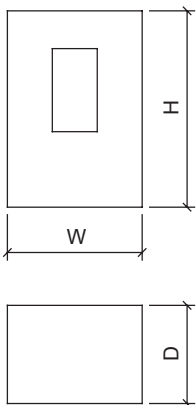
- ❑ remote control module
- ❑ additional input and output module
- ❑ RJ45-cable and cable splitter
- ❑ Encoder extension module
- ❑ Communication- and bus-plug-ins
- ❑ Bluetooth-memory stick
- ❑ braking resistors
- ❑ software for parameterization and operating
- ❑ license key for PLC



Technical Data	VD i ... /Pro			VD i ... /3Pro						
	075	150	220	075	150	220	400	550	750	1100
Motor shaft power / kW	0,75	1,5	2,2	0,75	1,5	2,2	4,0	5,5	7,5	11
Mains voltage according to DIN EN 50160 (IEC 38)	single-phase 200-240V ± 10% 48-62Hz			three-phase 380-480V ± 10%, 48-62Hz						
Output current / A	4,3	7	10,5	2,2	4,1	5,8	9,5	14	18	24
Peak current for 1min. / A	6,5	10,5	15,7	3,3	6,2	8,7	14,3	21	27	36
Control functions										
Frequency setting range	0 – 500Hz									
Torque boost	Boost (U/f)adjustable via parameter setting; Open Loop vector control									
Ramp-up and ramp-down time	0 ... 3000s									
Frequency setpoint	potentiometer >= 1kΩ, 0-10V, 4-20mA, keypad, fixes frequencies, motor potentiometer, modbus RTU, CANbus									
Ambient / Storage temperature	-10 ... 50°C, -40 ... 60°C									
Weight / kg	1,8	1,8	1,8	1,8	1,8	1,8	1,8	3,5	3,5	3,5
Order number 21100.	23075	23150	23220	40075	40150	40220	40004	40005	40007	40011
Recommended mains filter (class C1)* Order number	27012.24016		27012.24030	27114.48006	27114.48016			27114.48030		

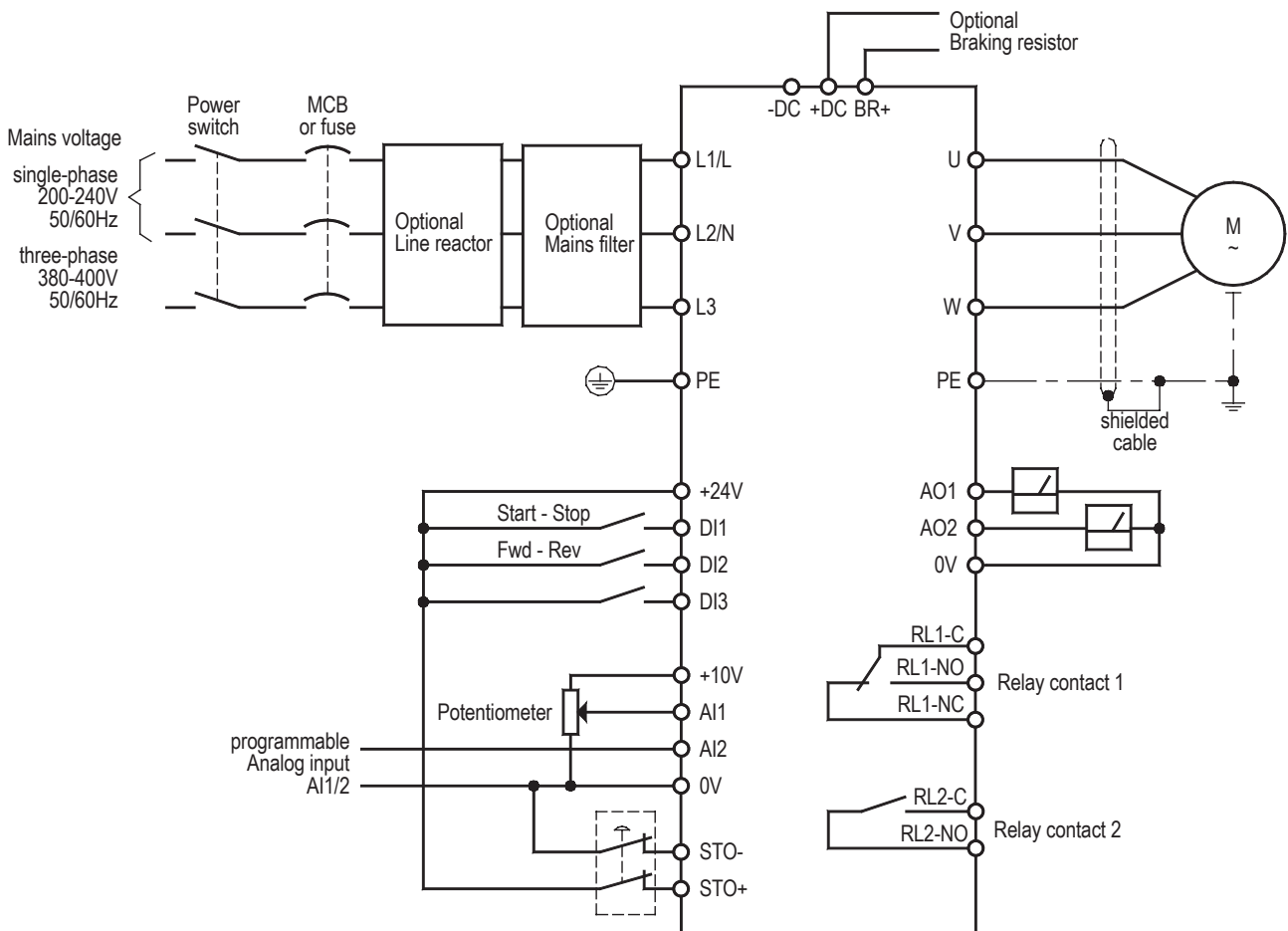
* Mains filter (class 1) are not available at the moment.

Dimensions:



	W [mm]	H [mm]	D [mm]
VD i 075/Pro	112	221	185
VD i 150/Pro	112	221	185
VD i 220/Pro	112	221	185
VD i 075/3Pro	112	221	185
VD i 150/3Pro	112	221	185
VD i 220/3Pro	112	221	185
VD i 400/3Pro	112	221	185
VD i 550/3Pro	131	261	205
VD i 750/3Pro	131	261	205
VD i 1100/3Pro	131	261	205

Connection Diagram:



Options

	Order number
VersiStick (Bluetooth-memory stick)	29000.2I003
VersiPad (remote Keypad)	29000.2I004
VersiE/A PRO (additional I/O)	29000.2I101
VersiRel PRO (additional relay output)	29000.2I102
VersiModulTTL (TTL-Encoder Module)	29000.2I103
VersiModulE (Ethernet Module)	29000.2I104
VersiModulP (Profibus Module)	29000.2I105
VersiModulD (DeviceNet Module)	29000.2I106
VersiSplit (Data splitter)	29000.2I005
RJ45-cable 0,5m	29000.2I006
RJ45-cable 1m	29000.2I007
RJ45-cable 3m	29000.2I008
PC-Kit (RS485-USB converter)	29000.2I009
VersiPC (Windows-Program for VersiDrive / Download on Homepage) *	29000.2I016
License key for PLC	29000.2I107

* For use with VersiPC a USB converter (PC-Kit) is needed.

If there is a need of additional accessories, like EMC filter, brake resistors,..., please contact your local sales partner.

General Accessories

	Order number
Potentiometer in VDE-design 10kΩ	41750.01103
Rotary button, 20mm, complete	65000.00002
Scale, 50mm x 50mm; 0 - 10	77200.00014

